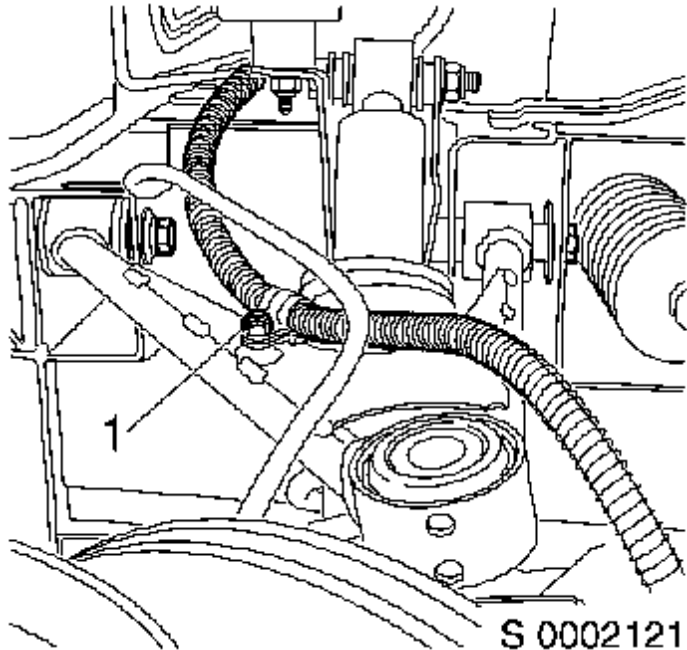


Upper Wishbone, Front, Replace

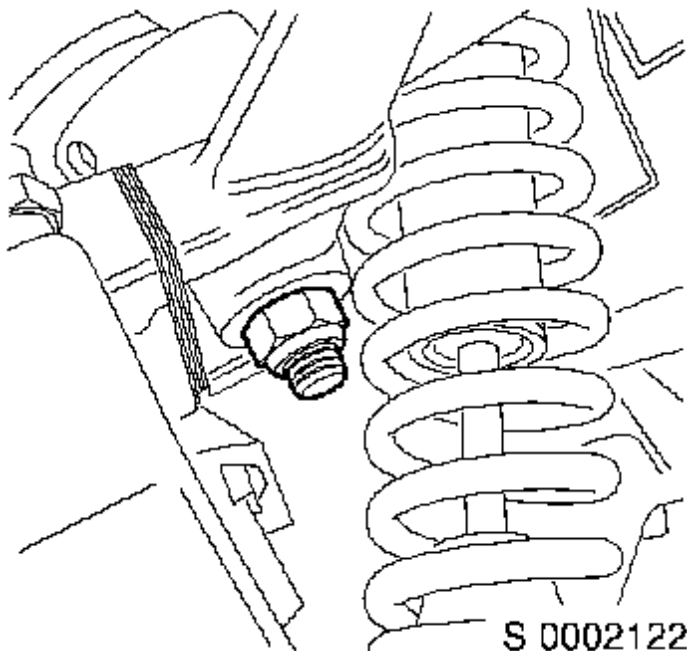


Remove

1. Chock both rear road wheels
2. Raise and support vehicle
3. Remove road wheel
 - Remove 4x bolt, remove security bolt
 - Use special socket located under front bonnet
4. Release brake hose from upper wishbone
 - Release clip, remove nut (1)

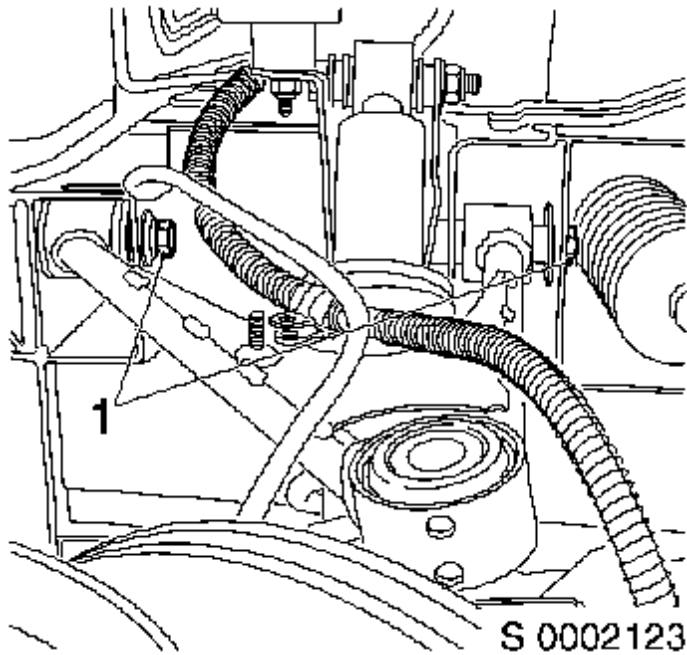


5. Remove upper wishbone from steering arm
 - Remove nut



6. Disconnect upper wishbone from chassis

- At rear, remove nut, bolt, washer
 - At front, remove nut, bolt, 2x washer
7. Remove upper wishbone from chassis
- Remove shims, thrust washer
- Note:** Observe locations and quantities of shims for installation

**Install**

8. Loosely install upper wishbone to chassis
- Install shims, thrust washer
 - Loosely install 2x bolt, 3x washer, 2x new nut
- Note:** Install shims and thrust washer in original location
9. Loosely install upper wishbone to steering arm
- Loosely install new nut
10. Secure upper wishbone to chassis
- Secure 2x bolt, 2x nut **45 Nm**
11. Secure upper wishbone to steering arm
- Secure nut **55 Nm**
12. Secure brake hose to upper wishbone
- Secure clip, install nut
13. Install road wheel to vehicle
- Install 4x bolt, install security bolt **90 Nm**
14. Raise vehicle and remove support
15. Remove chocks from both rear road wheels
16. Perform wheel alignment check